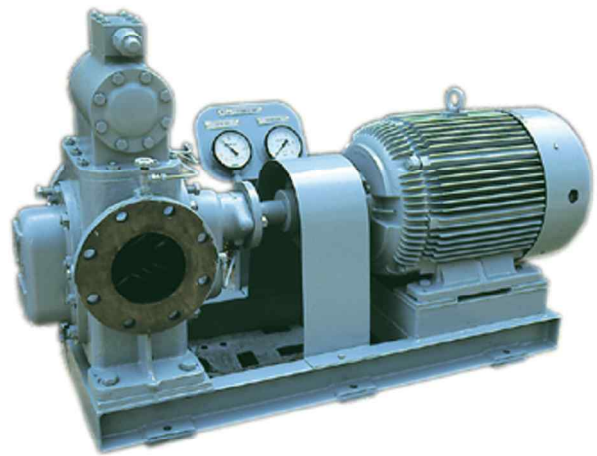


BHG

Horizontal, External Gear Pumps with Built-in Relief Valve

횡축 외치차 기어펌프 안전변 내장식



200m³/h × ~10kg/cm²

용도 및 적용 분야 / Use and applications

01. 용도 : 윤활유, 연료유 등의 유류와 윤활성을 가지고 있는 점성 액체
02. 사용압력 : 5~10kg/cm²
03. 베어링 : 베어링은 내장식으로 이송유체에 의한 자체 윤활방식이며, 볼베어링 또는 로울러 베어링으로 되어 있다.
04. 축씰일링 : 그랜드 팩킹을 표준으로 하나 메카니칼 씰 사용도 가능.
05. 안전변 : 안전변은 토출변을 전폐했을때 토출압력 상승한도가 계획 전압력의 132%이하가 되도록 설계되어 있다. 그러나 계획 전압력이 5kg/cm² 이하일 때는 압력상승폭을 1.6kg/cm² 이하로 하였다.
설정압력 : 최저 5.5kg/cm², 최고 10.5kg/cm²
06. 온도 : 최고 80℃(상용 60℃까지)
07. 플랜지 : KS 또는 JIS 10kg/cm², FF
08. 회전수 : 일반적으로 아래와 같다.

점 도	Size 40~50	Size 65~200
5~260cst	max. 1200rpm	max. 1000rpm
Up to 1000cst	max. 1200rpm	max. 900rpm

09. 점도 : 최저 5cst, 최고 2000cst.
10. 표준용량 : 표준용량 보정 점도는 25.8cst이며, 전동기의 슬립을 감안한 실제용량이다.
※ 상기 사양범위를 초과하는 대형 펌프도 제작합니다.

01. Application : Lubricating oil, Fuel oil or other liquids with property
02. Differential pressure : 5~10kg/cm²
03. Bearings : Internally setted ball bearing or roller bearing, lubricated by the pumping liquid.
04. Shaft sealing : Gland packing or mechanical seal.
05. Relief valve : Built-in type.
Setting pressure : minimum 5.5kg/cm²
maximum 10.5kg/cm²
06. Pumping temperature : Up to 80°C
(Normally up to 60°C)
07. Flanges : KS or JIS 10kg/cm², FF
08. Number of revolutions : In general.

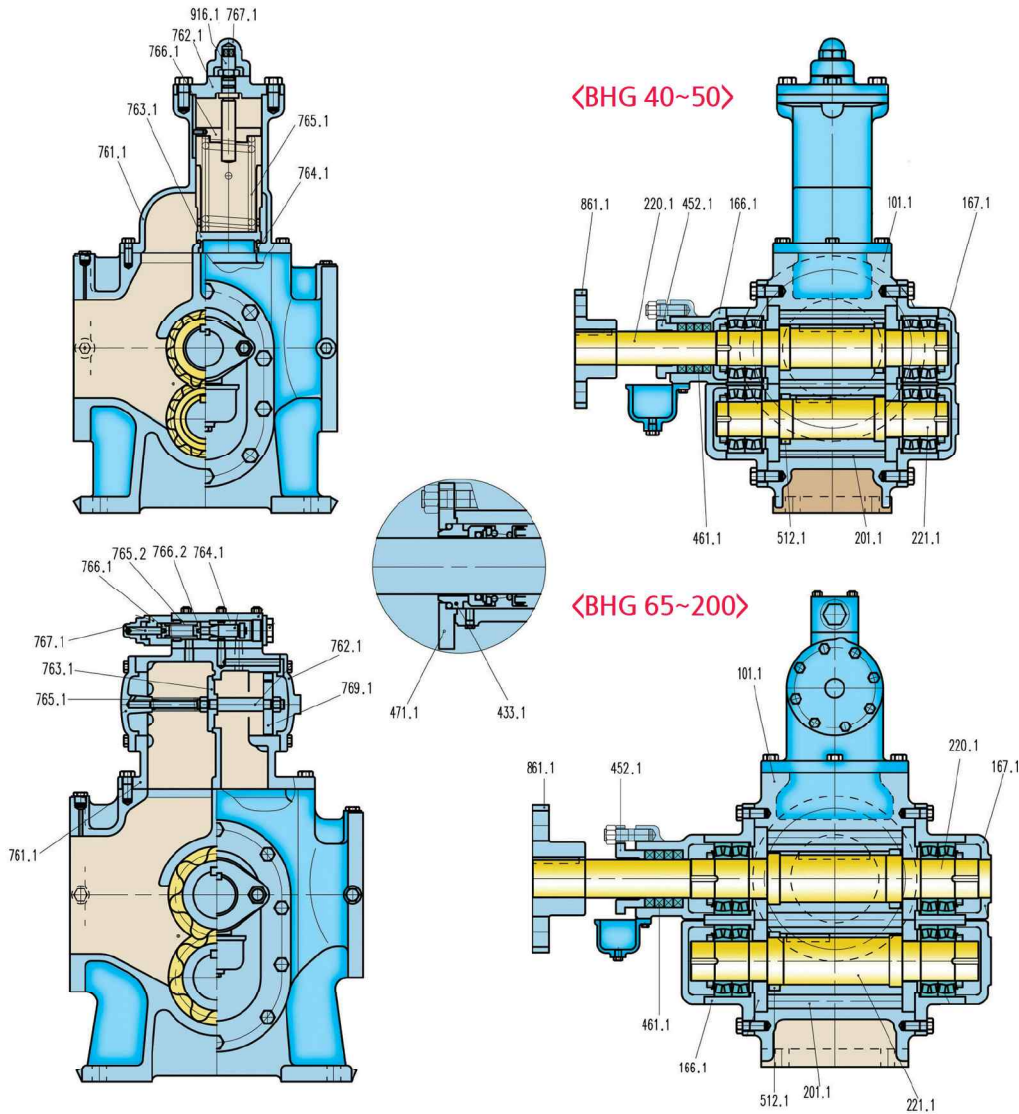
Viscosity	Size 40~50	Size 65~200
5~260cst	max. 1200rpm	max. 1000rpm
Up to 1000cst	max. 1200rpm	max. 900rpm

09. Viscosity : 5~2000cst.
10. Standard capacity : Calculated at 25.8cst
(Rw.No.1, 100sec.)
Motor rpm slip considered.
*The out of the above range can be supplied according to customer's order placement

형식 표시 방법 / Type nomenclature

- ▶ 씨리즈 (Series) _____
- ▶ 정격 회전수에서의 표준용량, m³/h (Standard capacity in m³/h at rating rpm) _____

BHG - 50

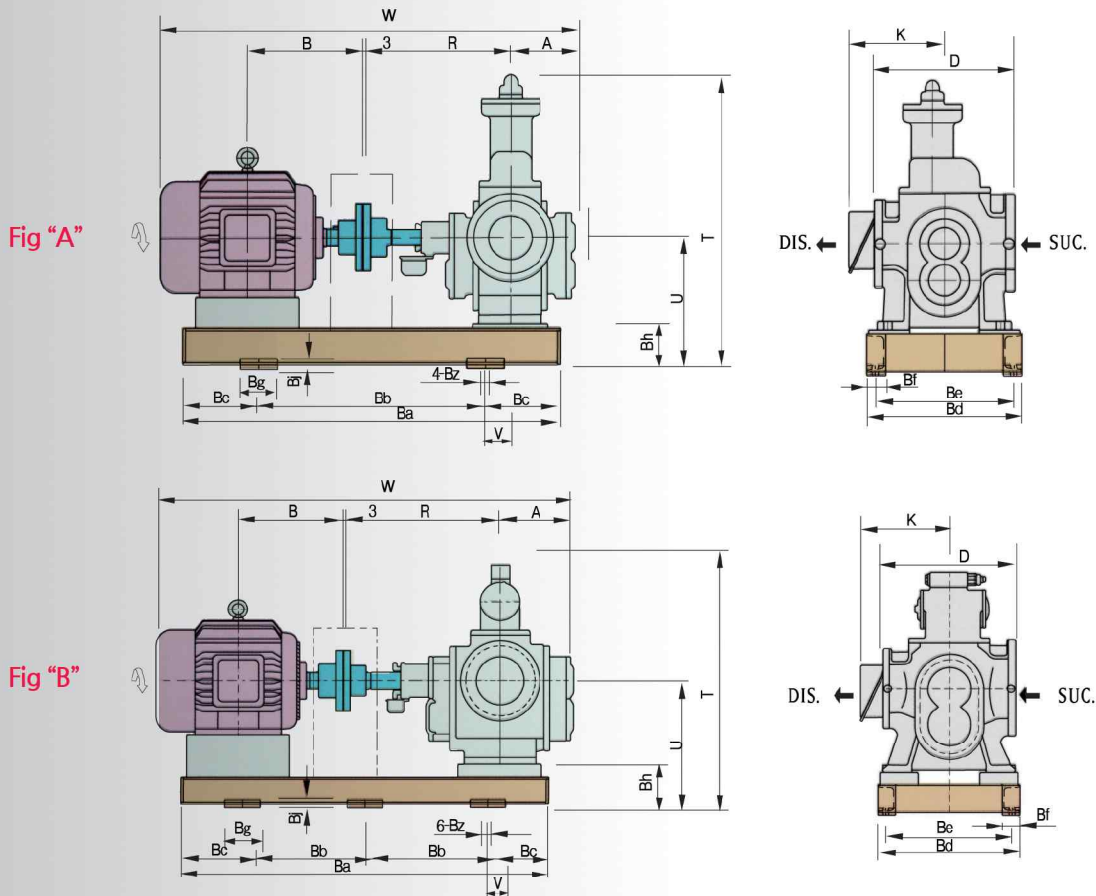


No	PART NAME	MATERIAL		Q'ty
		GLASS 1	GLASS 2	
101.1	PUMP CASING	GC 200	GCD 450	1
166.1	STUFFING BOX HOUSING	GC 200	GCD 450	1
167.1	SIDE COVER	GC 200	GCD 450	2
201.1	GEAR	SM 45C		4
220.1	DRIVE SHAFT	SM 45C		1
221.1		SM 45C		1
452.1	PACKING GLAND	GC 200		1
461.1	PACKING	NON-METALLIC		1SET
512.1	GEAR SET RING	SM 45C		2
761.1	VALVE BODY	GC 200		1

NO.	PART NAME	MATERIAL		Q'ty
		GLASS 1	GLASS 2	
762.1	VALVE COVER	GC 200		1
763.1	SAFETY VALVE	SM 45C		1
764.1	VALVE SEAT	STS 410J1		1
765.1	VALVE SPRING	SPS 6		1
765.2	VALVE SPRING	SPS 6		1
766.1	SPRING CARRIER	SS 400		1
766.2	SPRING CARRIER	SS 400		1
767.1	VALVE CAP	GC 200		1
769.1	PISTON VALVE	SM 45C		1
916.1	ADJUST SCREW	SS 400		1
861.1	COUPLING	GC 200		

*OPTION

외형치수도 / Outline dimensions



* Dimensions for the standard unit driven by IEC standard motor.

TYPE	FIG	MOTOR FRAME NO.	BORE		PUMP & MOTOR DIMENSIONS(MM)										BASE PLATE DIMENSIONS(MM)								WEIGHT(KG)					
			SUC.	DIS.	A	B	D	K	R	T	U	V	W	Ba	Bb	Bc	Bd	Be	Bf	Bg	Bh	Bj	Bz	PUMP	MOTOR	BASE	TOTAL	
BHG 40	A	160M				323		280				30	1026	1050	400	125									109	48	332	
		160L				345		280				30	1250	1050	400	125		390	345						136	48	359	
		180M	Ø 150	Ø 125	190	352	400	305	420	845	370	55	1260	1100	400	150				50	100	120	28	19	175	161	51	387
	B	180L				371		305				55	1298	1100	400	150										177	51	403
		200M				377		338				30	1321	1150	450	125		410	365							250	53	478
		200L				396		338				30	1360	1150	450	125										277	53	505
BHG 50	B	180M				352		305				55	1255	1100	400	150		390	345							161	51	382
		180L				371		305				55	1293	1100	400	150										177	51	398
		200M	Ø 150	Ø 125	185	377	400	338	420	845	370	30	1316	1150	450	125				50	100	120	28	19	170	250	53	473
		200L				426		317				25	1399	1150	450	125		410	365							282	58	510
		225S				432		410				55	1425	1200	450	150										380	55	605
		225M				445		410				55	1450	1200	450	150										420	55	645
BHG 65	B	180M				371		305				30	1408	1200	450	150										177	56	463
		200M				377		338				30	1431	1200	450	150		450	405							250	56	536
		200L	Ø 150	Ø 125	220	426	460	317	500	850	400	0	1515	1250	500	125				50	100	120	28	19	230	282	72	584
		225S				352		397				25	1541	1300	500	150										380	79	682
		225M				445		410				10	1565	1250	500	125		505	460							420	59	709
		250S				434		428		880	430	25	1570	1300	500	150		500	440	65	130	150	30	23		522	82	831
BHG 80	B	180M				371		305				30	1368	1200	450	150										177	56	463
		200M				377		338				30	1391	1200	450	150		450	405							250	56	536
		200L				396		338		850	400	30	1430	1200	450	150				50	100	120	28	23	230	277	56	563
		225S	Ø 150	Ø 125	235	432	460	410	500			10	1500	1250	500	125										380	59	669
		225M				445		410				10	1525	1250	500	125		505	460							420	59	709
		250S				434		428		880	430	25	1585	1300	500	150		540	480	65	130	150	30	23		522	82	831
		250M				453		428		880	430	25	1623	1300	500	125		540	480	65	130	150	30	23		575	82	887

• 치수는 참고용임.

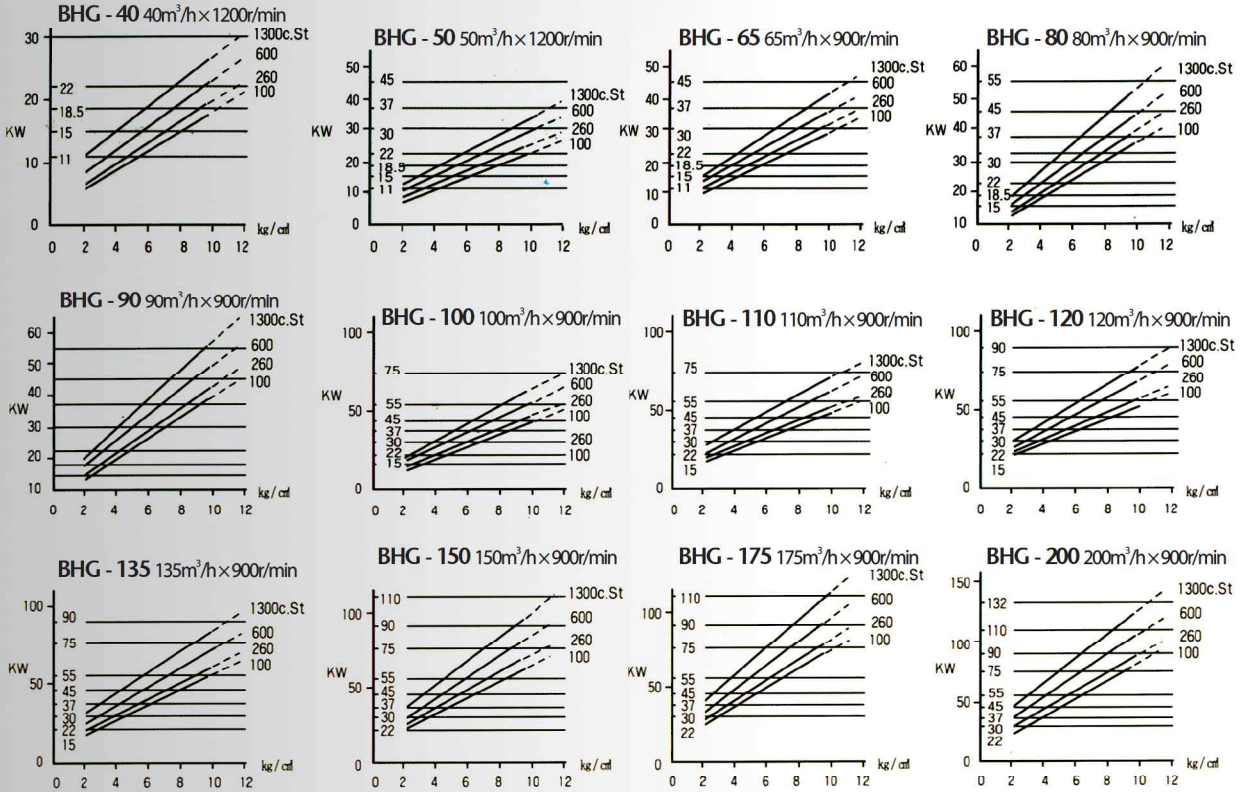


* Dimensions for the standard unit driven by IEC standard motor.

TYPE	FIG	MOTOR FRAME NO.	BORE		PUMP & MOTOR DIMENSIONS(MM)										BASE PLATE DIMENSIONS(MM)								WEIGHT(KG)																	
			SUC.	DIS.	A	B	D	K	R	T	U	V	W	Ba	Bb	Bc	Bd	Be	Bf	Bg	Bh	Bj	Bz	PUMP	MOTOR	BASE	TOTAL													
BHG 90	B	180M	Ø150	Ø125	235	371	305	460	410	500	850	400	0	1368	1150	450	125	450	405	50	100	120	28	23	230	177	53	460												
		200M				377	338						0	1391	1150	450	125									250	53	533												
		200L				396	338						10	1430	1150	450	125									277	53	560												
		225S				432	410						30	1500	1200	450	150	505	445							65	130	150	30	23	380	56	666							
		225M				445	410						30	1525	1200	450	150														420	56	706							
		250S				434	428						880	430	25	1585	1300	500	150												540	480	65	130	150	30	23	522	82	831
		250M				453	428						880	430	25	1623	1300	500	125												540	480	65	130	150	30	23	575	82	887
BHG 100	B	200L	Ø200	Ø150	265	396	338	500	410	950	950	470	0	1530	1250	500	125	470	410	65	130	150	30	23	320						177	59	556							
		225S				432	410						20	1600	1300	500	150														381	62	763							
		225M				445	410						20	1625	1300	500	150														420	62	802							
		250S				434	438						515	950	470	25	1639	1300	500							150	495	435	65	130	150	30	23	320	522	62	904			
		250M				452	438						25	1677	1300	500	150	575	62							957														
		280S				514	570						20	1797	1400	550	150	555	495							750	65	1135												
		280M				540	510						40	1834	1450	550	175	570	510							890	96	1316												
BHG 110	B	200L	Ø200	Ø150	265	396	338	500	410	950	950	470	0	1530	1250	500	125	470	410	65	130	150	30	23	320	177	59	556												
		225S				432	410						20	1600	1300	500	150									381	62	763												
		225M				445	410						20	1625	1300	500	150									420	62	802												
		250S				434	438						515	950	470	25	1639	1300	500							150	495	435	65	130	150	30	23	320	522	62	904			
		250M				452	438						25	1677	1300	500	150	575	62							957														
		280S				514	570						20	1797	1400	550	150	555	495							750	65	1135												
		280M				540	510						40	1834	1450	550	175	570	510							890	96	1316												
BHG 120	B	200L	Ø200	Ø150	265	396	338	500	410	950	950	470	0	1530	1250	500	125	470	410	65	130	150	30	23	320	177	59	556												
		225S				432	410						20	1600	1300	500	150									381	62	763												
		225M				445	410						20	1625	1300	500	150									420	62	802												
		250S				434	438						515	950	470	25	1639	1300	500							150	495	435	65	130	150	30	23	320	522	62	904			
		250M				452	438						25	1677	1300	500	150	575	62							957														
		280S				514	570						20	1797	1400	550	150	555	495							750	65	1135												
		280M				540	510						40	1834	1450	550	175	570	510							890	96	1316												
BHG 135	B	225S	Ø250	Ø200	285	432	410	500	410	960	960	470	0	1655	1350	550	125	470	410	65	130	150	30	23	380	380	410	1170												
		225M				445	410						0	1680	1350	550	125									420	410	1210												
		250S				434	438						0	1694	1350	550	125									522	435	1337												
		250M				452	438						0	1732	1350	550	125	495	435							65	130	150	30	23	380	575	435	1390						
		280S				514	570						70	1852	1500	550	200															750	495	1625						
		280M				540	570						70	1903	1500	550	200	555	495													890	495	1765						
		BHG 150				B	225S						Ø250	Ø200	285	432	410	500	410													960	960	470	0	1655	1350	550	125	470
225M	445		410	0	1680		1350	550	125	420	410	1210																												
250S	434		438	0	1694		1350	550	125	522	435	1337																												
250M	452		438	0	1732		1350	550	125	495	435	65				130	150			30	23	380	575	435	1390															
280S	514		570	70	1852		1500	550	200														750	495	1625															
280M	540		570	70	1903		1500	550	200	555	495												890	495	1765															
BHG 175	B		225M	Ø250	Ø200		325	445	410	600	410												650	995	505	20	1820	1450	550	175	560				500	65	130	150	30	23
		250S	434			438		45	1834				4500	550	200			522	72							1069														
		250M	452			438		45	1872				4500	550	200			575	72							1122														
		280S	514			570		45	1992				1600	600	200			750	80							1305														
		280M	540			570		1025	535			45	2043	1600	600	200	890	80	1445																					
BHG 200	B	225M	Ø250	Ø200	325	445	410	600	410	650	995	505	20	1820	1450	550	175	560	500	65	130	150	30	23	475	420	70	965												
		250S				434	438						45	1834	4500	550	200									522	72	1069												
		250M				452	438						45	1872	4500	550	200									575	72	1122												
		280S				514	570						45	1992	1600	600	200	750	80							1305														
		280M				540	570						1025	535	45	2043	1600	600	200							890	80	1445												

선정표 / General performance selection chart

For 60Hz



For 50Hz

