

■ Applications

- Fire and general service pump
- Piston cooling fresh water pump
- Others

■ Principal Particulars

Item	Model	SVF 150	SVF 200F
Rotation		Clockwise viewed from driver end	
Suction bore (mm)		150	200
Discharge bore (mm)		150	200
Stuffing box seal		Gland packing or mechanical seal	
Weight GC(BC) (kg)		420(445)	710(760)

■ Standard Materials

Part No.	Name Of Part	REQ. NO. FOR 1PUMP	For Fresh Water		For Sea Water	
			Name	KS	Name	KS
102.1	VOLUTE CASING	1	CAST IRON	GC200	BRONZE	BC6
181.1	PUMP STOOL	1	CAST IRON	GC200	CAST IRON	GC200
210.1	SHAFT	1	STAINLESS STEEL	STS304	STAINLESS STEEL	STS304
232.1	CLOCKWISE IMPELLER	1	PHOSPHOR BRONZE	PBC2	PHOSPHOR BRONZE	PBC2
233.1	COUNTER CLOCKWISE IMPELLER	1	PHOSPHOR BRONZE	PBC2	PHOSPHOR BRONZE	PBC2
280.1	BLIND COVER	1	STAINLESS STEEL	STS304	STAINLESS STEEL	STS304
281.1	CORROSION PLATE	1			ZINC	Zn
412.1	O-RING	1	NBR		NBR	
412.2	O-RING	1	NBR		NBR	
412.3	O-RING	1	NBR		NBR	
412.4	O-RING	1	NBR		NBR	
421.1	OIL SEAL	1	NBR		NBR	
470.1	MECHANICAL SEAL	1				
471.1	SEAL COVER	1	STAINLESS STEEL	STS304	STAINLESS STEEL	STS304
502.1	CASING WEAR RING	2	BRONZE	BC6	BRONZE	BC6
541.1	INTERSTAGE BUSH	1	LEADED TIN BRONZE	LBC4	LEADED TIN BRONZE	LBC4
861.1	COUPLING HALF	1	CAST IRON	GC200	CAST IRON	GC200
861.2	COUPLING HALF	1	CAST IRON	GC200	CAST IRON	GC200
866.1	COUPLING BOLT, NUT & WASHER	1st	CHROMIUM MOLYBDENUM STEEL	SCM440	CHROMIUM MOLYBDENUM STEEL	SCM440
898.1	MOTOR FRAME	1	STEEL	SS400	STEEL	SS400
921.1	SHAFT NUT	2	STAINLESS STEEL	STS304	STAINLESS STEEL	STS304
932.1	RETAINING RING(C type)	1	CARBON TOOL STEEL	SK 5M	CARBON TOOL STEEL	SK 5M
933.1	IMPELLER RETAINING WASHER	1	STAINLESS STEEL	STS304	STAINLESS STEEL	STS304
933.2	COUPLING RETAINING WASHER	1	STEEL	SS400	STEEL	SS400
934.1	LOCK WASHER	1	STAINLESS STEEL	STS304	STAINLESS STEEL	STS304
940.1	IMPELLER KEY	1	STAINLESS STEEL	STS304	STAINLESS STEEL	STS304
940.2	IMPELLER KEY	1	STAINLESS STEEL	STS304	STAINLESS STEEL	STS304
940.3	COUPLING KEY	1	CARBON STEEL	SM45C	CARBON STEEL	SM45C

■ Stuffing Box Seal

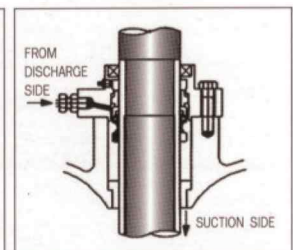
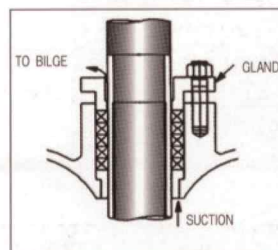
The stuffing box is fitted with gland packing but a mechanical seal can be fitted if customer requires it to eliminate gland adjustment

Fitted with gland packing

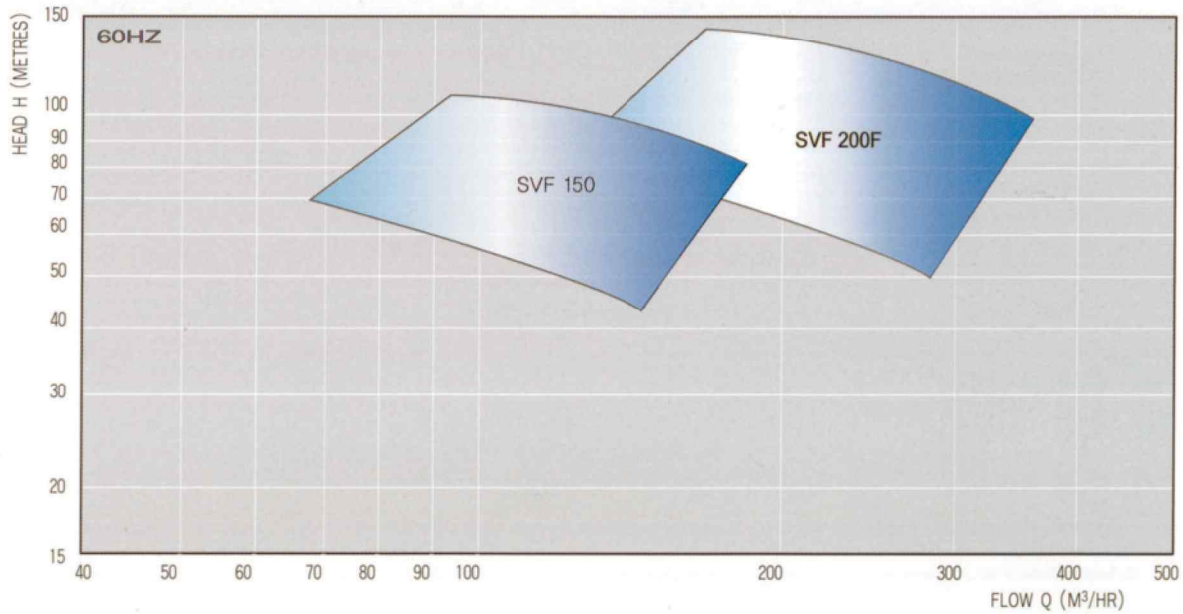
Sealing water is led to the stuffing box passing through throttle bush some of water is drained to bilge after sealing gland packing.

Fitted with mechanical seal

Flushing water is led to the stuffing box from the discharge side after removing foreign matter, and returned to the suction side through throttle bush after flushing mechanical seal.



■ Selection Chart



Vacuum pump unit

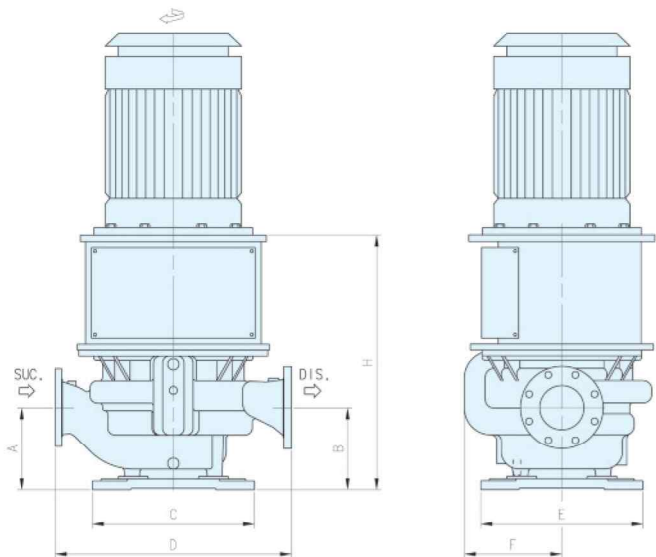
When a self priming system is required, a vacuum pump unit driven by pump motor through the provided clutch. During the pump operation, vacuum pump is stopped automatically by releasing the clutch in accordance with the handling water pressure.

■ Standard Accessories

Discharge pressure gauge	1
Suction compound gauge	1
Gauge board	1
Gauge root valve	2
Sealing pipe	1 set
Return pipe	1
Vacuum unit(for self priming pump)	1 set

■ Standard Spare Parts

1 pump set of the following spare is supplied for 1 ship.
 Gland packing or mechanical seal
 Coupling bolt, nut & washer, rubber ring
 Complete set of rotating element(if required)



Model	Bore(mm)		Dimensions (mm)						
	SUC	DIS	A	B	C	D	E	F	H
SVF 150	150	150	280	280	550	800	550	330	867
SVF 200F	200	200	320	320	660	900	660	385	973