

COP

Vertical Mixed flow Can-Type Pump

적용분야 / Applications

- 01. 일반산업 : 보일러 급수
- 02. 발전소 : 응축수

- 01. General industries : For Boiler Feed
- 02. power plant : For Condensate

설계 및 구조적 특징 / Design and Construction features

- 01. 임펠라 : 3차원 깃을 가진 Close type
- 02. 회전방법 : 구동기에서 보았을 때 우회전
- 03. 설치장소 : 옥내 및 옥외

- 01. Impeller : Close type having blade of 3Dimension
- 02. Rotation : C.W when viewed from driver
- 03. Installation place : Indoor and Outdoor

사양 범위 / Operating Data

- 01. 전양정 : 20~200m
- 02. 토출량 : 100~1200m³/min
- 03. 온 도 : 0~160°C
- 04. 구 경 : 200mm~400mm

※ 상기 사양범위를 초과하는 대형 펌프도 제작합니다.

- 01. Total Head : 20~200m
- 02. Discharge flow : 100~1200m³/min
- 03. Temperature : 0~160°C
- 04. Bore : 200mm~400mm

*The out of the above range can be supplied according to customer's order placement

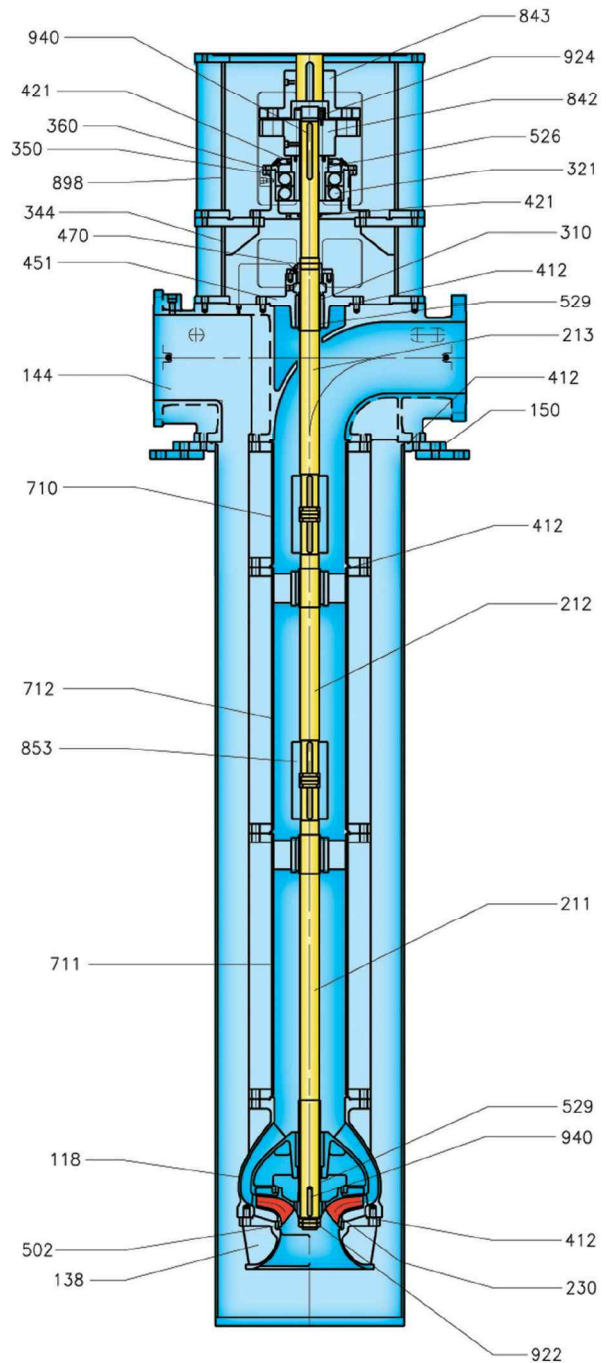
형식 표시 방법 / Type nomenclature

- ▶ 시리즈 (Series)
- ▶ 사이즈/토출구경 (Size/Nominal dia. of discharge nozzle)
- ▶ 단수 (Number of stage)
- ▶ 일련번호 (Serial number)

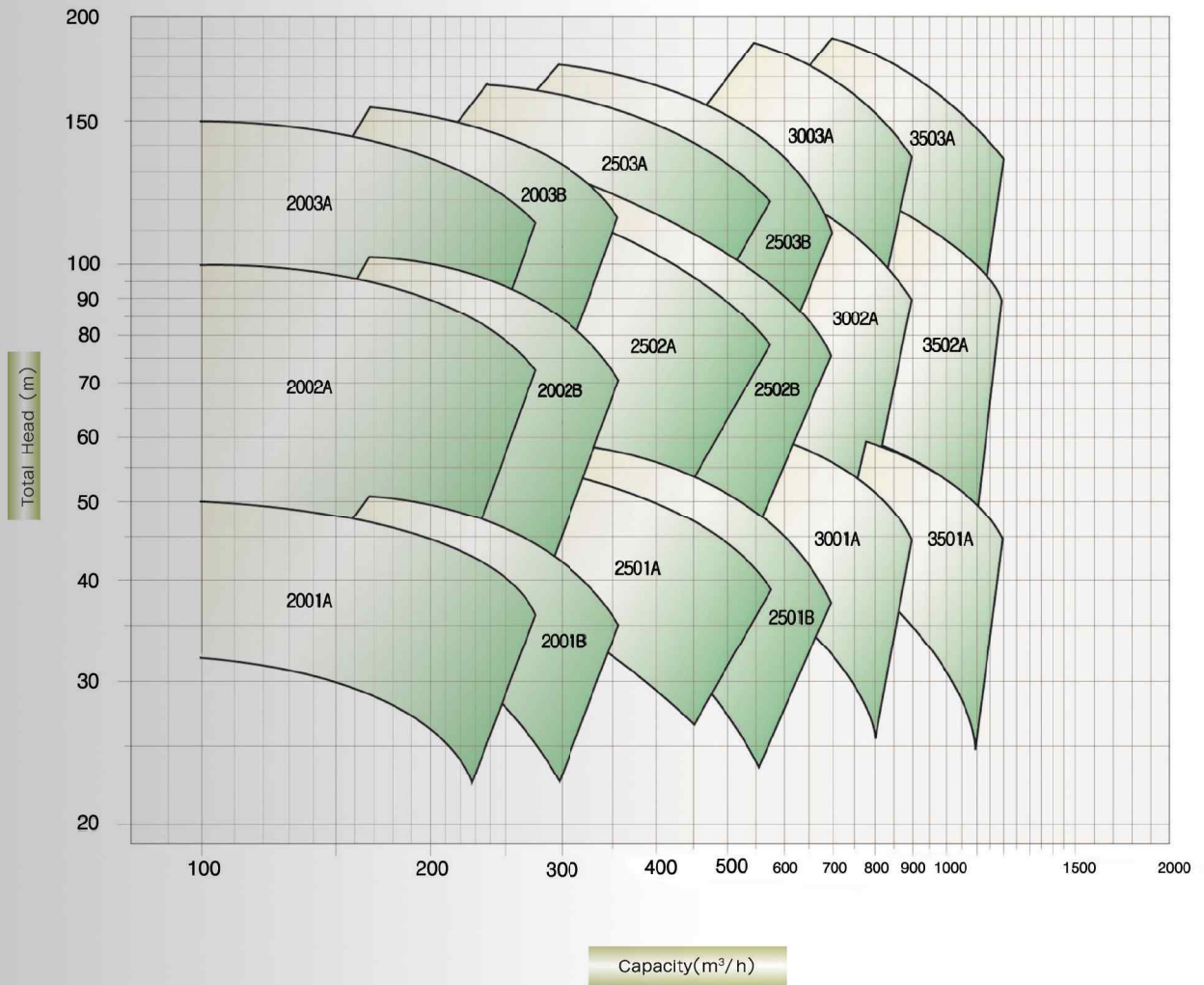
COP 200-2A

조립 단면도 / Sectional drawing

PART NO.	PART NAME	MATERIAL : KS(ASTM)	Q' TY
940	COUPLING KEY	SM 45C	-
940	IMPELLER KEY	STS 304	-
924	COUPLING NUT	SM 45C	1ST
922	IMPELLER NUT	STS 304	1ST
853	LINE SHAFT COUPLING	STS 304	
843	MOTOR COUPLING	GC 200	1
842	PUMPCOUPLING	GC 200	1
710	COLUMN PIPE(UPPER)	STS 304	1
712	COLUMN PIPE(MIDDLE)	STS 304	
711	COLUMN PIPE(LOWER)	STS 304	1
421	OIL SEAL	NBR	1
421	OIL SEAL	NBR	1
529	BEARING SLEEVE	STS420J2	
529	BEARING SLEEVE	STS420J2	
526	BEARING SEAT	SM 45C	1
502	CASING WEAR RING	SSC 1	
451	STUFFING BOX	SSC 1	1
470	MECHANICAL SEAL	-	1ST
344	BEARING HOUSING FRAME	SS 400	1
898	MOTOR FRAME	SS 400	1
412	O-RING	NBR	
412	O-RING	NBR	
412	O-RING	NBR	
412	O-RING	NBR	
360	BEARING COVER	GC 200	1
350	BEARING HOUSING	GC 200	1
321	BEARING	STB 2	1ST
310	SLEEVE COVER	CARBON	
230	IMPELLER	SSC 1	
213	SHAFT(UPPER)	STS420J2	1
212	SHAFT(MIDDLE)	STS420J2	
211	SHAFT(LOWER)	STS420J2	1
118	GUIDE CASING	SSC 1	
144	DISCHARGE ELBOW	SSC 1	1
138	SUCTION BELL	SSC 1	1
150	BARREL(CAN)	STS 304	1



선정표 / performance selection chart



*The out of the above range can be supplied according to customer's order placement.

