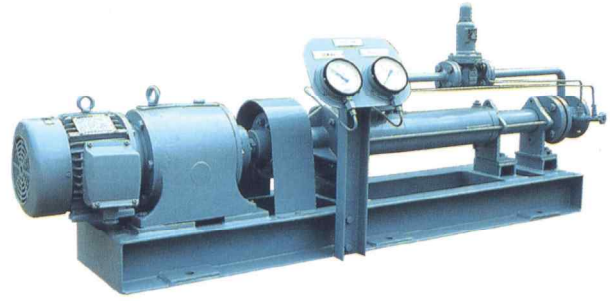


# IS

## Horizontal, Eccentric Mono Screw Pumps

횡축, 모노 스크류 펌프



### 원리 / Principle

Eccentric Screw Pump는 일축의 나선형 회전자와 고무탄성을 나타내는 특수 고분자 물질로 된 고정자로 구성되어 있으며, 회전자와 고정자가 접촉함으로써 일정한 공동( )을 형성시켜 정형( ) pumping 물질을 연속적으로 이송시킨다.

Eccentric Screw pump consists of a single helix metal rotor which rotates eccentrically within an elastomeric stator with a double helix form. The interference fit between the rotor and stator creates a constant cavity which carries the pumped product continuously through the pump.

### 특징 / Design and operation features

01. 고점도·고농도의 고형물 이송이 용이하다.
02. 흐름이 일정하고, 맥동이 없다.
03. 자흡력이 높다.
04. 고정자는 견고하고 뒤틀림이 없도록 설계되어 있으며 교환이 용이하며 장기( ) 운전이 가능하다.

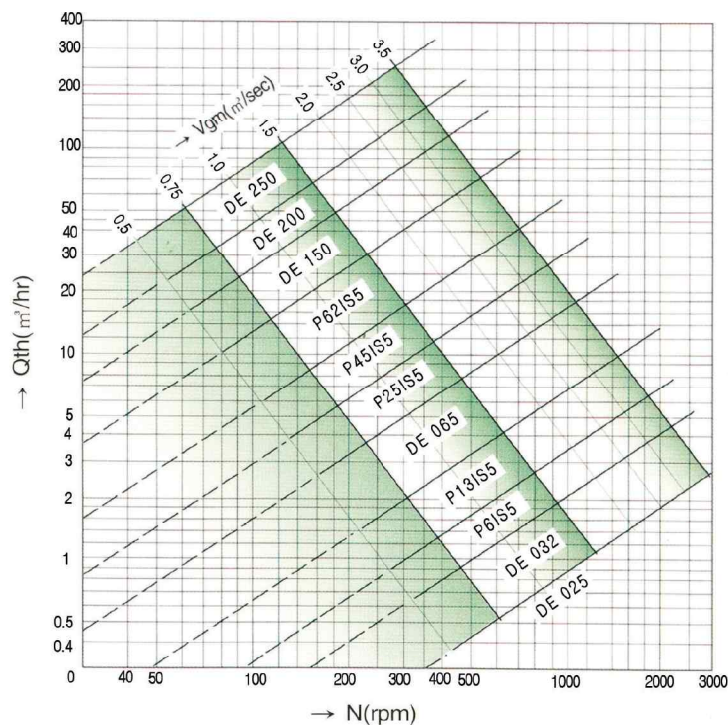
01. Eccentric Screw Pump conveys easily high viscous and high dense material.
02. Uniform, Non-pulsating flow.
03. High suction capability.
04. Vulcanized-in, Easily replaceable stator, Torsion-proof, therefore a Long service life.

### 용도 및 적용 분야 / Use and applications

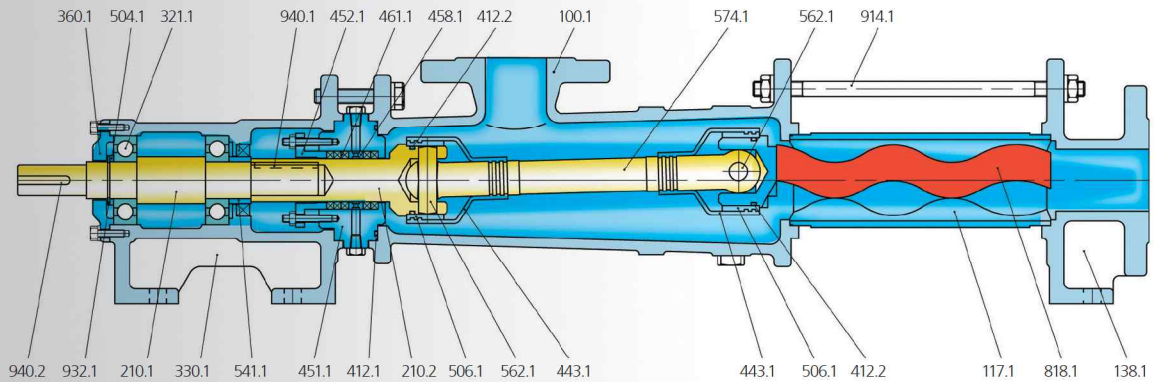
01. 폐수 처리시설, 화학, ceramic, 건설, 광산업
02. 식품, 음료, 설탕, 전분제조업, 의약품산업

01. Sewage treatment, Chemical, Ceramic, Construction, and Mining industry
02. Food, Beverage, Sugar and Starch industry, pharmaceutical industry.

### 선정표 / General performance selection chart



## 조립 단면도 / Sectional drawing

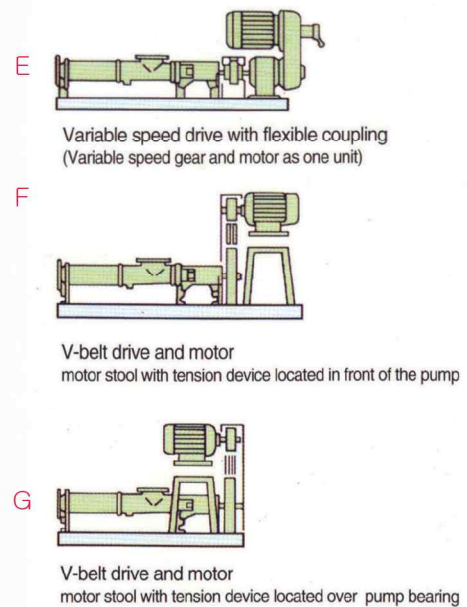
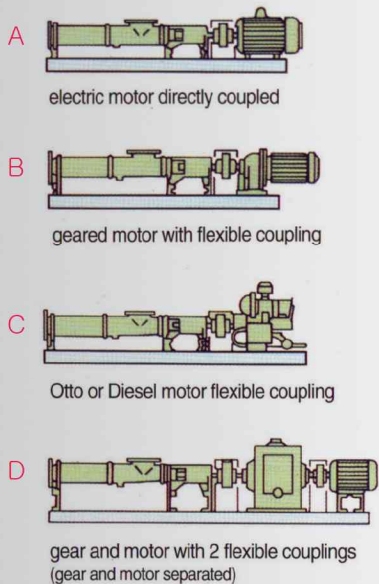


### Standard Materials

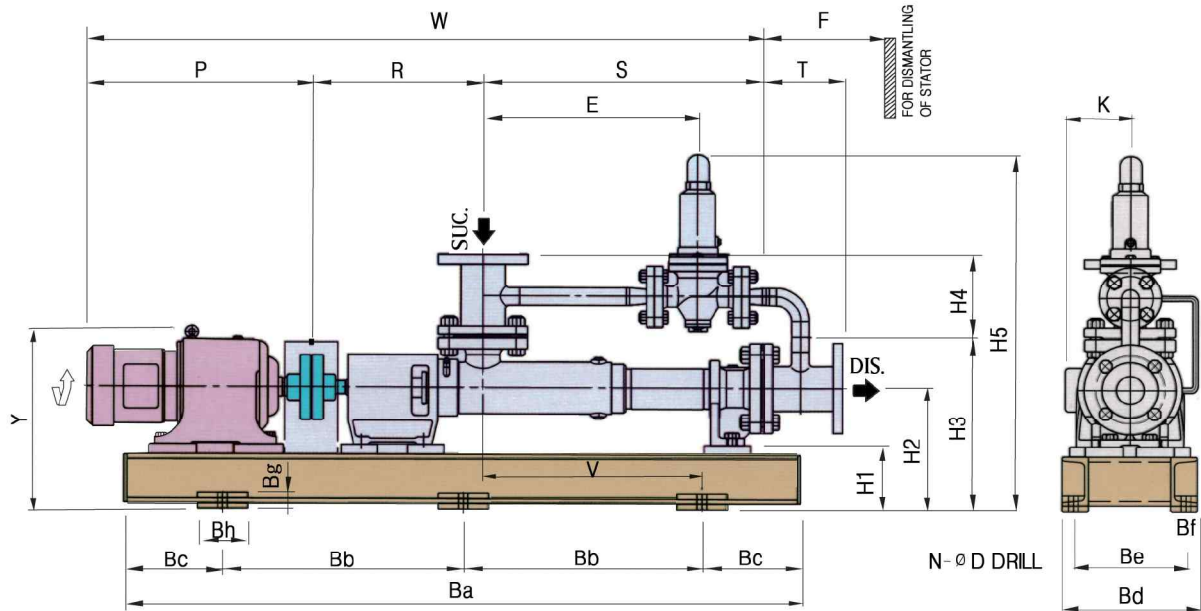
Part No.	Name Of Part	MATERIAL			QTY
		Name	KS	JIS	
100.1	BODY	CAST IRON	GC 200	FC 200	1
117.1	STATOR	NBR			1
138.1	PRESSURE BRANCH	CAST IRON	GC200	FC 200	1
210.1	DRIVE SHAFT	CABON STELL	SM 45C	S 45C	1
210.2	MIDDLE SHAFT	SIAINLESS STEEL	STS 304	SUS 304	1
321.1	BALL BEARING	BEARING STEEL	STB 2	SUJ 2	2
330.1	BEARING HOUSING	CAST IRON	GC 200	FC 200	1
360.1	BEARING COVER	CAST IRON	GC 200	FC 200	1
412.1	O-RING	NBR			1
412.2	O-RING	NBR			2
443.1	SHEATH	RUBBER			2
451.1	STUFFING BOX	CAST IRON	GC 200	FC 200	1

Part No.	Name Of Part	MATERIAL			QTY
		Name	KS	JIS	
452.1	PACKING GLAND	CAST IRON	GC 200	FC 200	1
458.1	LANTERN RING	STAINLESS STEEL	STS 304	SUS 304	1
461.1	PACKING	NON METALLIC			5
504.1	SPACER RING	CARBON STEEL	SM 45C	S 45C	1
506.1	STOPRING	SIAINLESS STEEL	STS 304	SUS 304	2
541.1	BUSH FOR DRIVE SHAFT	CARBON STEEL	SM 45C	S 45C	1
562.1	PIN	STEEL	SB 410	SB 410	2
574.1	CONNECTING ORD	STAINLESS STEEL	STS 304	SUS 304	1
818.1	ROTOR	STAINLESS STEEL	STS 304	SUS 304	1
914.1	TIE BOLT	Cr-Mo STEEL	SCM 440	SCM 440	4
932.1	SNAP RING	SPRING STEEL	SPS 6	SUP 6	1
940.1	SHAFT KEY	CARBON STEEL	SM 45C	S 45C	1
940.2	COUPLING KEY	CARBON STEEL	SM 45C	S 45C	1

### Drives and Baseplates for IS



## 외형치수도 / Outline dimensions



PUMP MODEL	GEARED MOTOR (power)	BORE		K	P	R	S	T	D	E	F	W	H1	H2	H3	H4	H5	Ba	Bb	Bc	Bd	Be	Bf	Bg	Bh	V	WEIGHT (kg)
		SUC.	DIS.																								
P6IS5	1.5Kw	Ø40	Ø40	158	613	344	393	125	19	250	250	1353	150	240	325	125	605	1100	400	150	230	185	50	25	80	235	117
P13IS5	2.2kw 3.7Kw	Ø50	Ø50	205	690	406	515	140	24	350	300	1614	195	295	395	140	695	1350	500	175	265	220	65	25	80	332	190 220
P25IS5	3.7kw 5.5Kw	Ø80	Ø80	205	690	516	837	180	24	500	400	2046	170	295	420	180	840	1800	650	250	265	220	65	25	100	574	215 230
P45IS5	7.5Kw 11Kw	Ø100	Ø100	320	992	563	979	230	27	530	450	2768	325	455	595	230	950	2200	850	250	450	370	80	30	150	708	635 650
P62IS5	11kw 15Kw	Ø125	Ø125	180	992	648	1308	150	27	680	600	3101	305	455	603	150	1005	2500	1000	250	450	370	80	30	150	1045	670 720